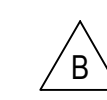
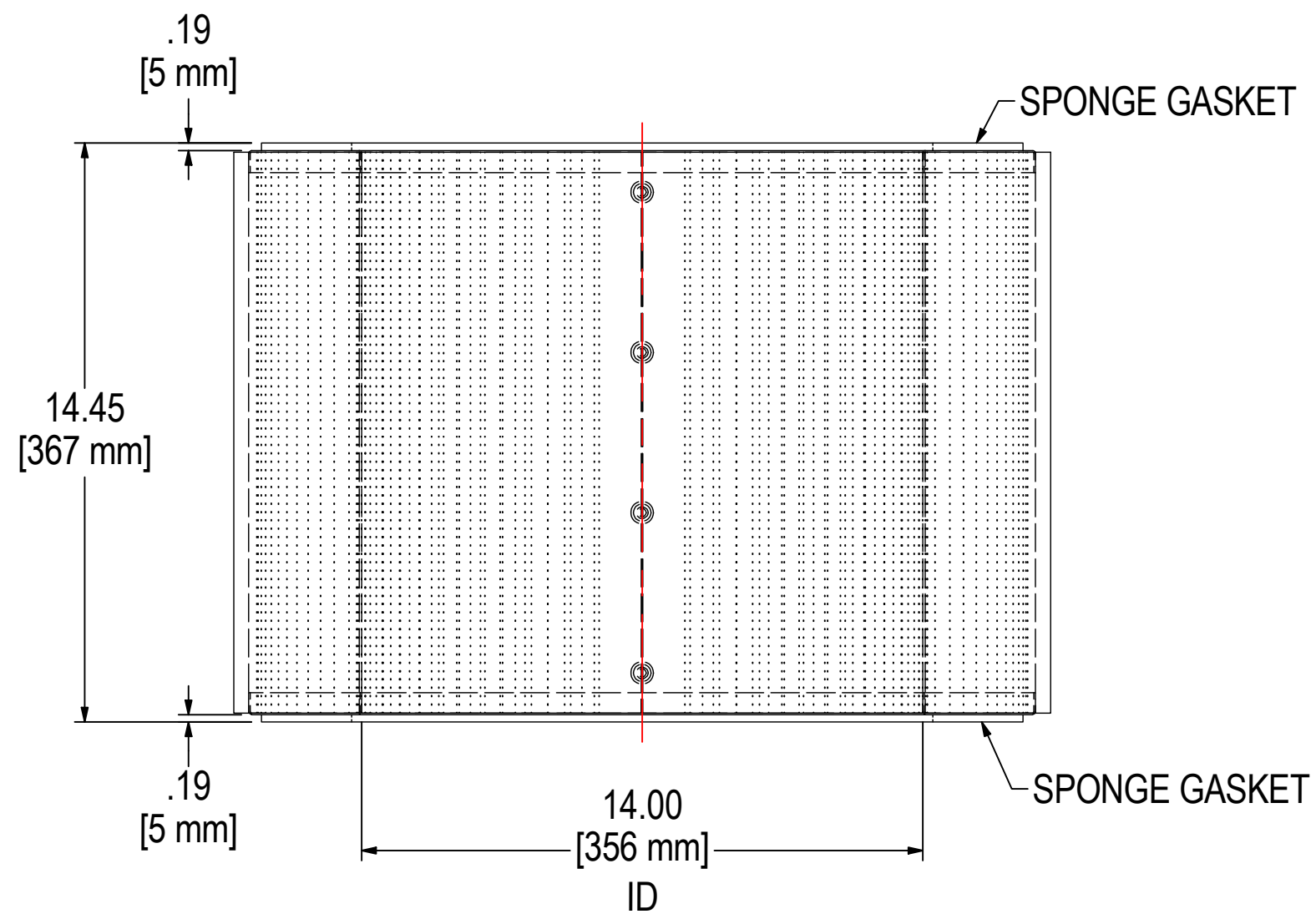
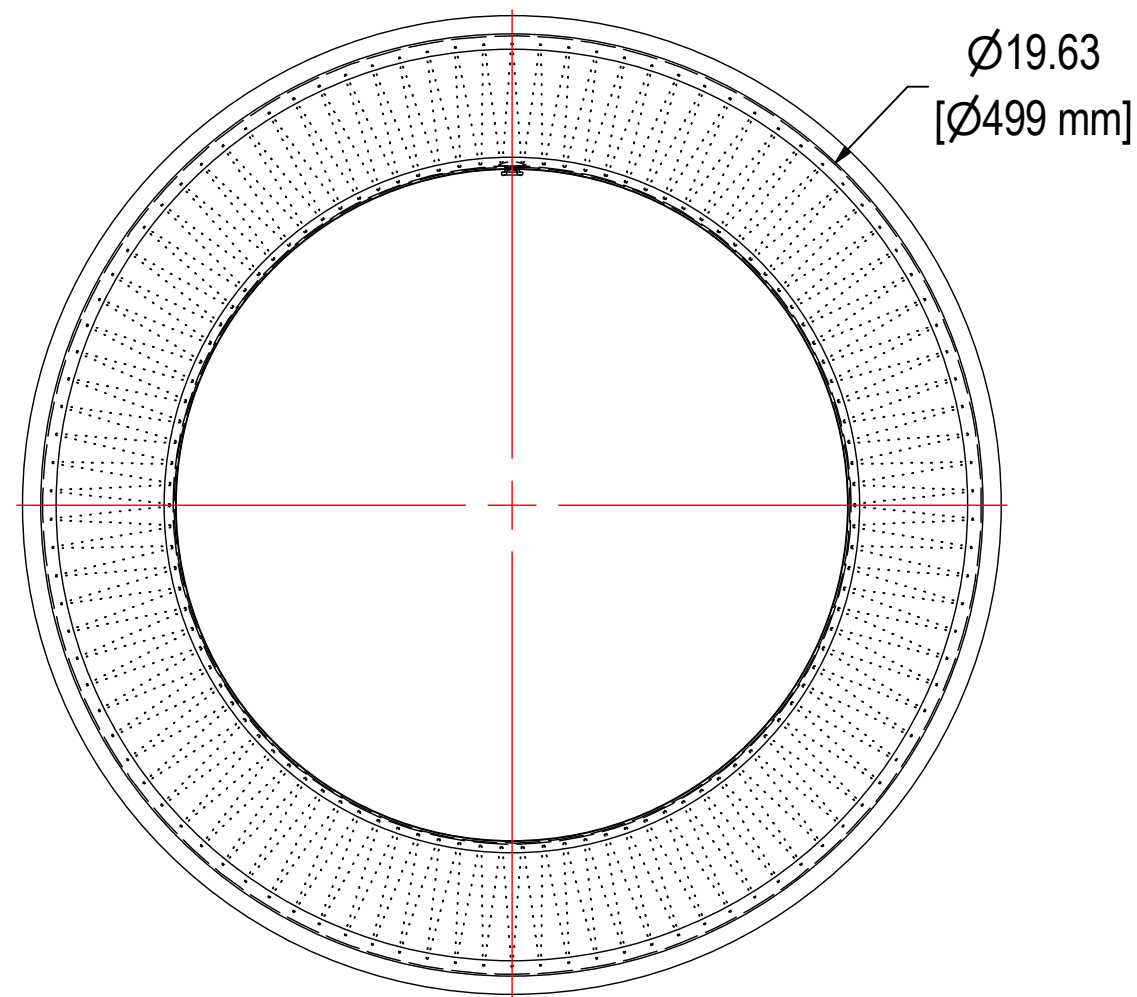


REV	DESCRIPTION	ECN #	CHG BY	DATE	APP'D
A	UPDATED TO 3D	-	TAS	09/12/19	NAD
B	UPDATED ELEMENT SPECS TABLE	18014	TAS	01/13/20	NAD



ELEMENT SPECS		
PART NUMBER	385P	
MATERIAL	POLYESTER	
FLOW RATE	3300 CFM	5607 m ³ /hr
SURFACE AREA	46.9 ft ²	4.4 m ²
I.D.	14.00"	356mm
O.D.	19.63"	499mm
HEIGHT	14.45"	367mm